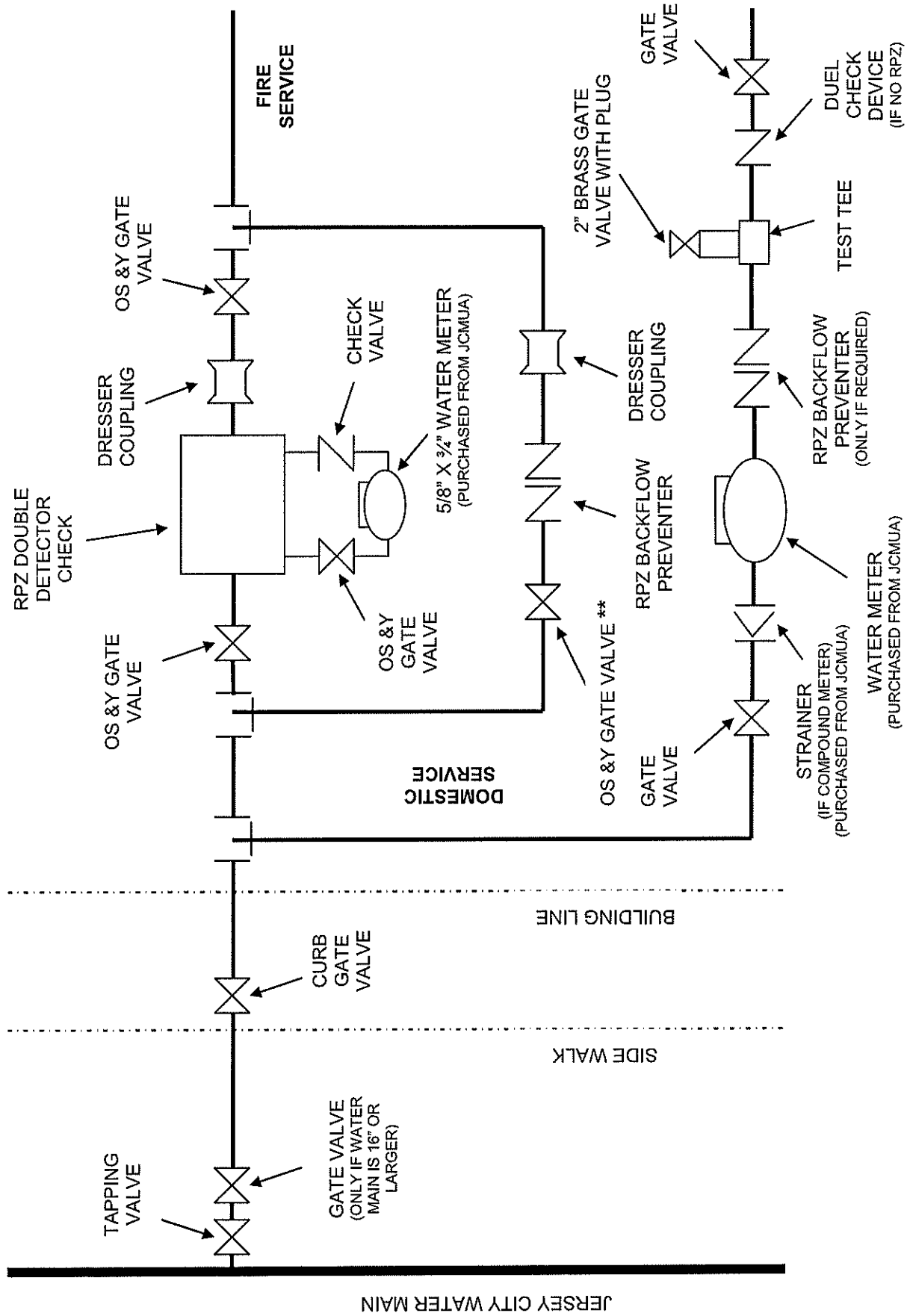
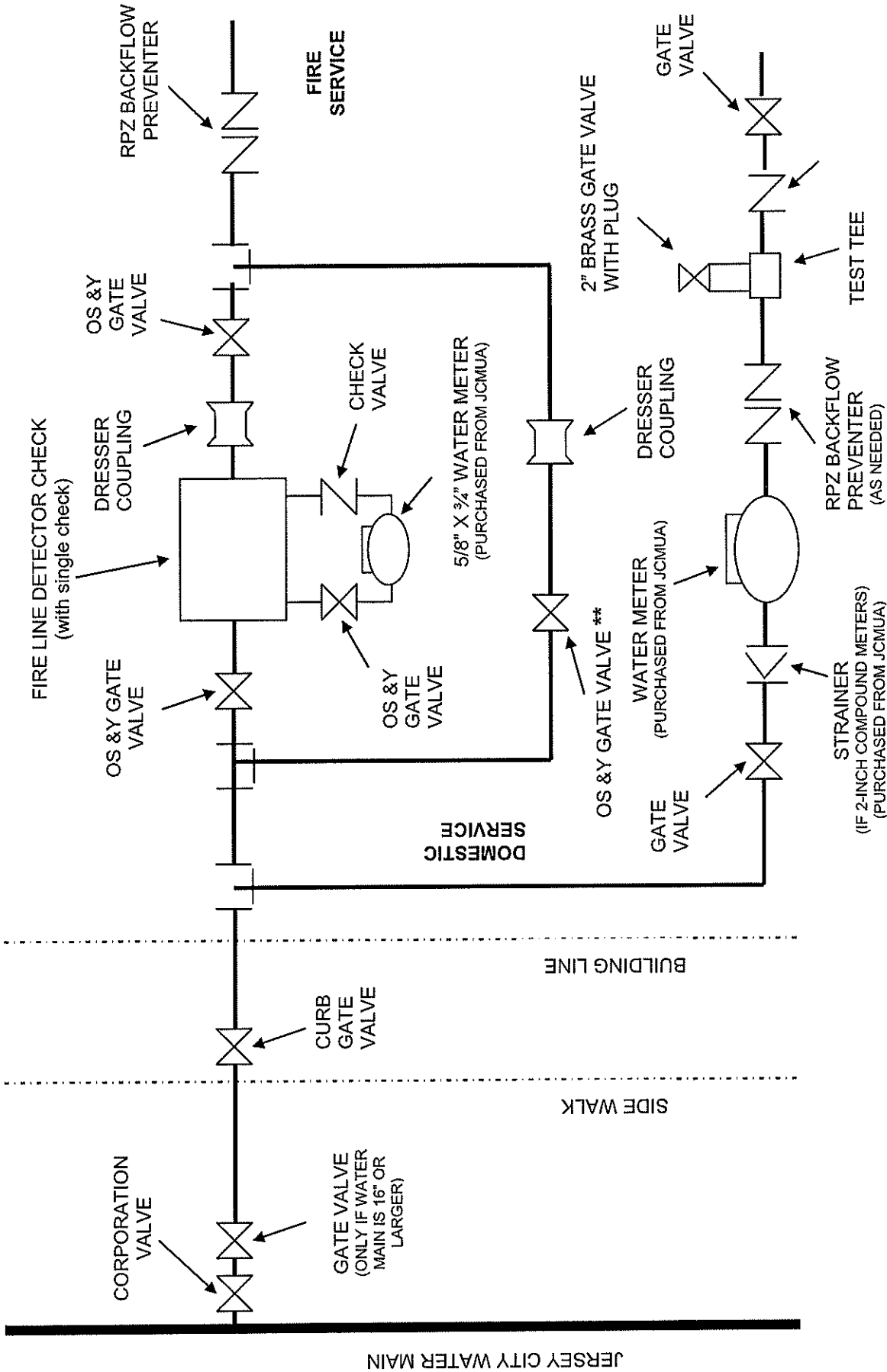


FIGURE 1.
J.C.M.U.A. REQUIREMENTS FOR FIRE AND DOMESTIC WATER LINE AND METER INSTALLATIONS
FOR CONNECTIONS GREATER THAN 2-INCHES USING DIP PUSH-ON OR FLANGED PIPE.



** Gate Valve Sealed by JCMUA.

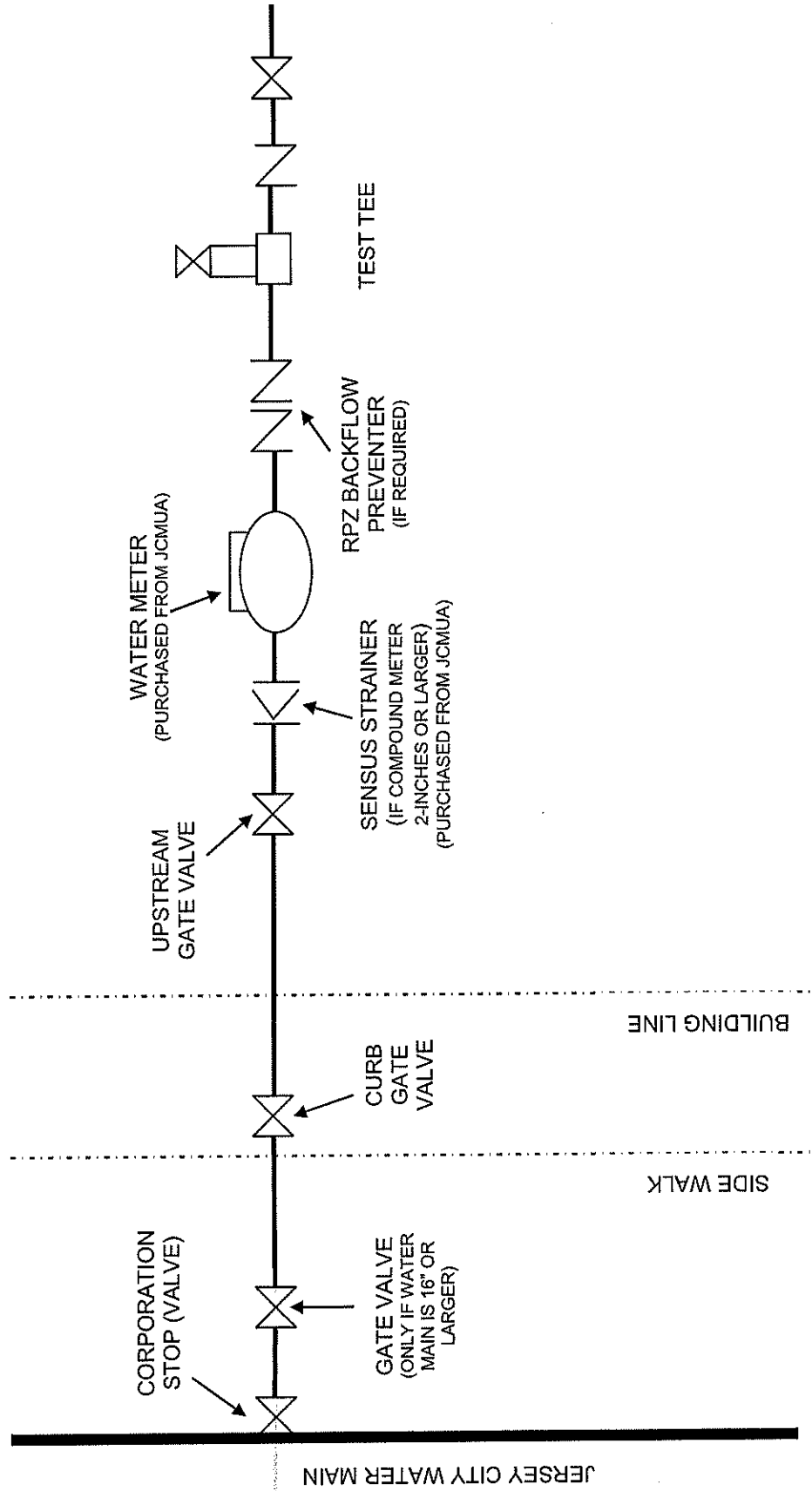
FIGURE 2.
J.C.M.U.A. REQUIREMENTS FOR FIRE AND DOMESTIC WATER LINE AND METER INSTALLATIONS FOR
CONNECTIONS 1.5-INCHES AND 2-INCHES USING ROLLED SOFT K COPPER



** Gate Valve Sealed by JCMUA.

Revised 1/28/10

FIGURE 3.
J.C.M.U.A. REQUIREMENTS FOR DOMESTIC (With No Fire Service) WATER LINE AND METER INSTALLATION
FOR ANY CONNECTION UP TO 2-INCHES USING ROLLED SOFT K COPPER PIPE



Revised 1/28/10