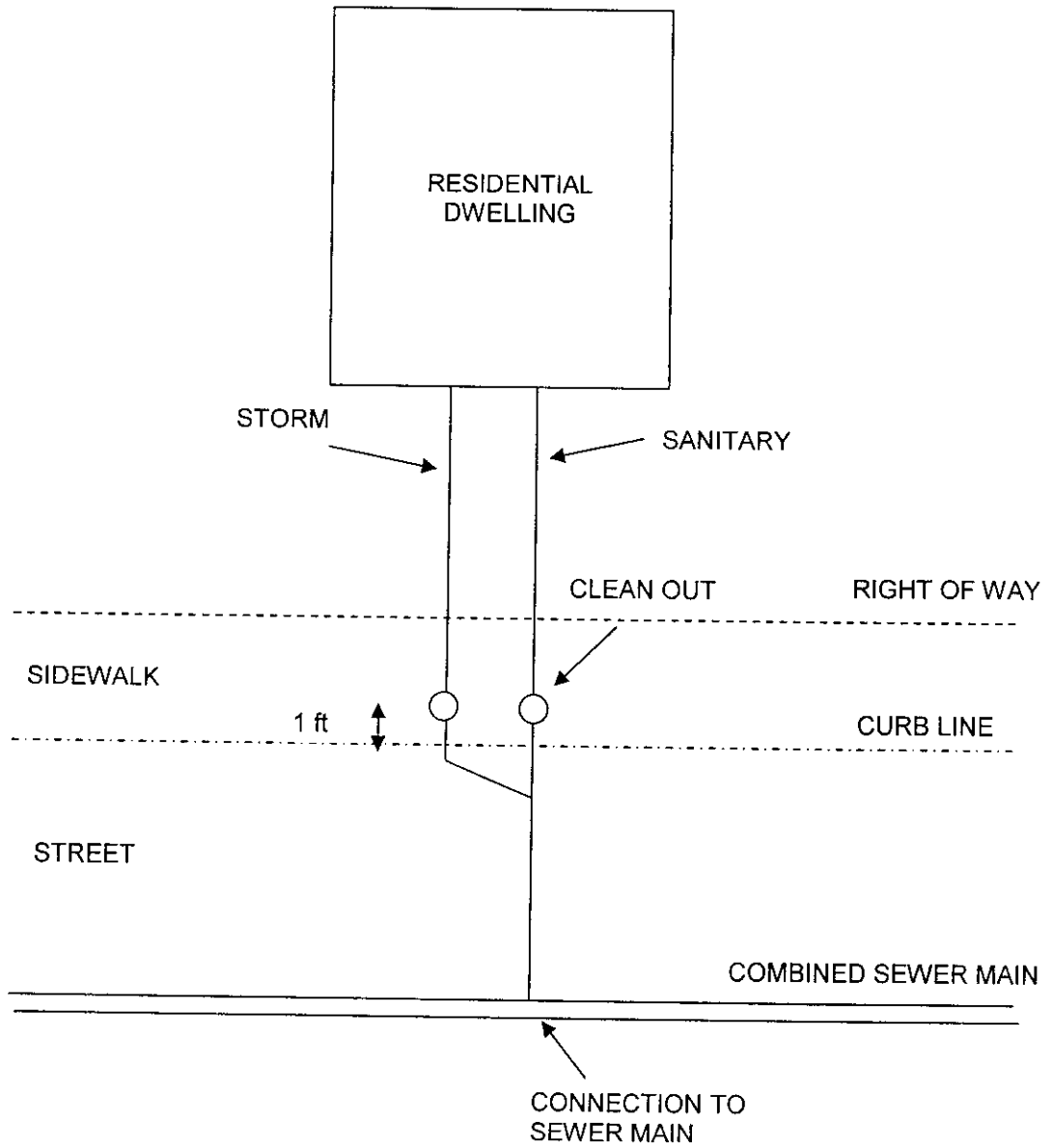
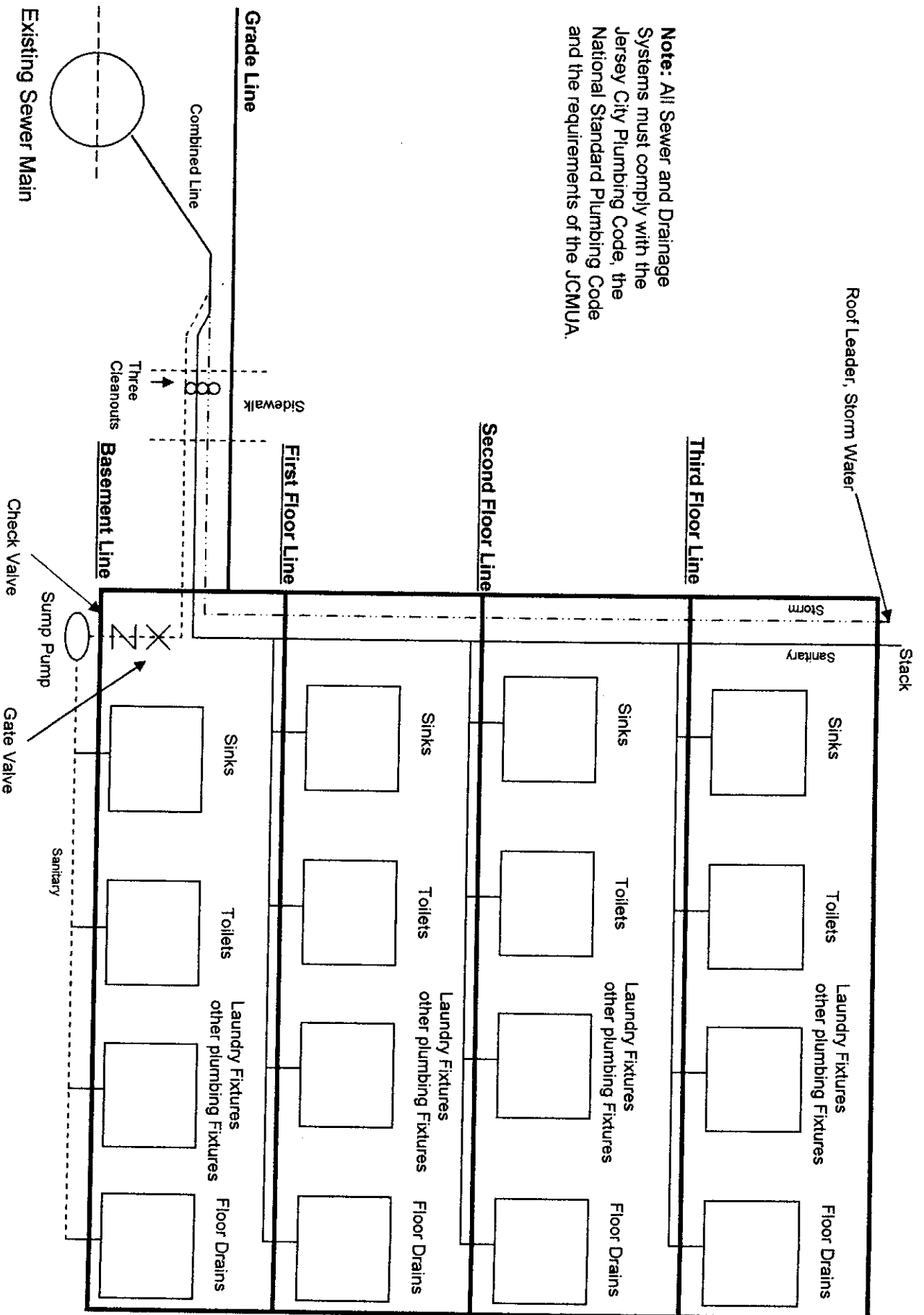


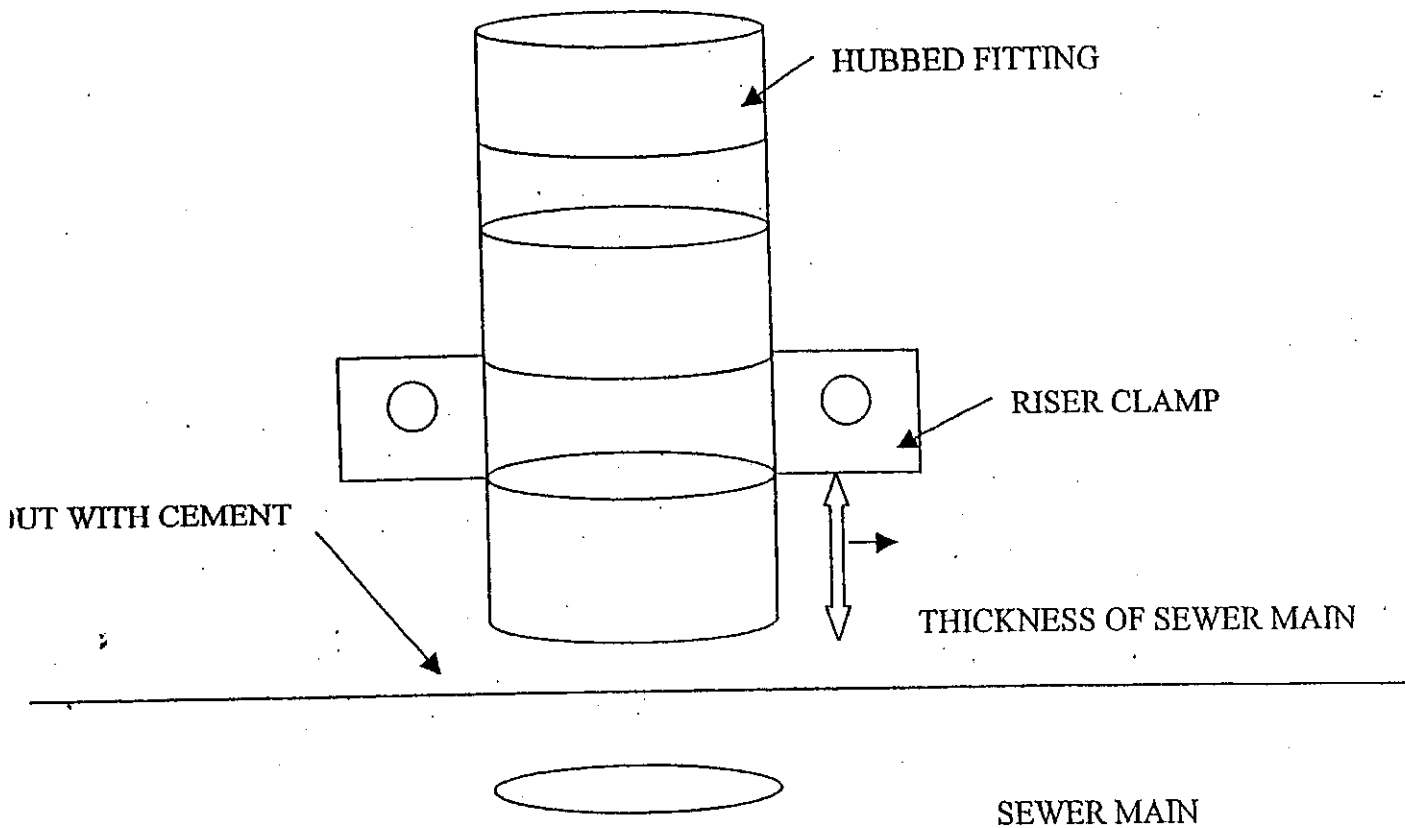
**SEWER CONNECTION DETAIL FOR RESIDENTIAL DWELLING**



# Sample Sewer Schematic for Units with Basement Apartments

**Note:** All Sewer and Drainage Systems must comply with the Jersey City Plumbing Code, the National Standard Plumbing Code and the requirements of the JCMUA.



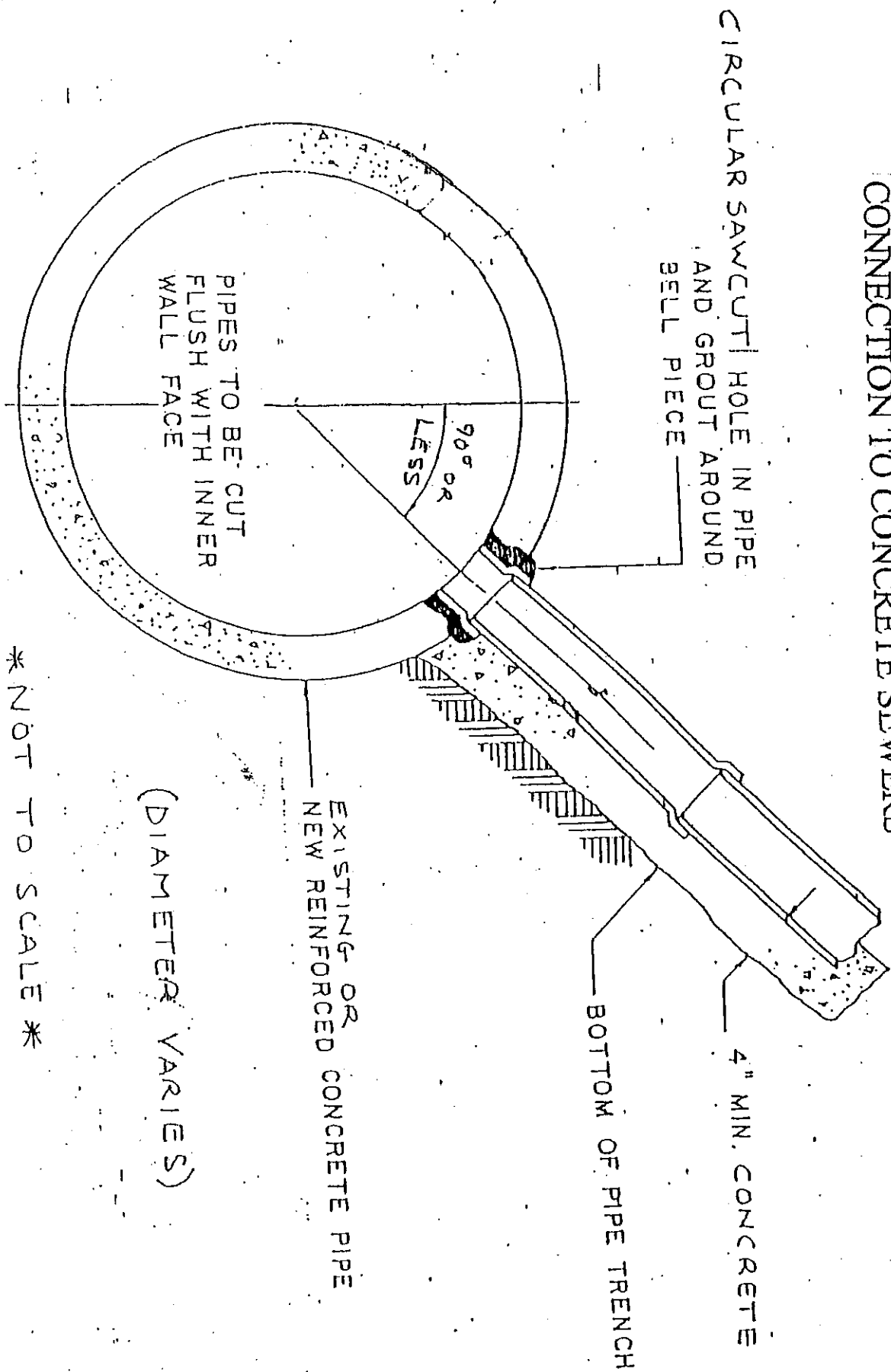


RISER CLAMP DETAIL

**Notes:**

- 1.) Where a sewer lateral is to connect to a JCMUA sewer constructed of brick or other suitable material, an assembly consisting of a hubbed fitting and a riser clamp will be used. The riser clamp shall be set so that the length of pipe inserted into the JCMUA's sewer is equal to the thickness of the main as shown in the above detail. The entire circumference of the assembly shall be grouted with cement to secure in place.
- 2.) Circular hole saws which are appropriately sized or hand drills must be used to make the openings in the existing sewer to receive the assembly. The diameter of the hole in the sewer main to accept the new lateral shall be no more than 1/8-inch wider than the pipe to be inserted into the sewer.

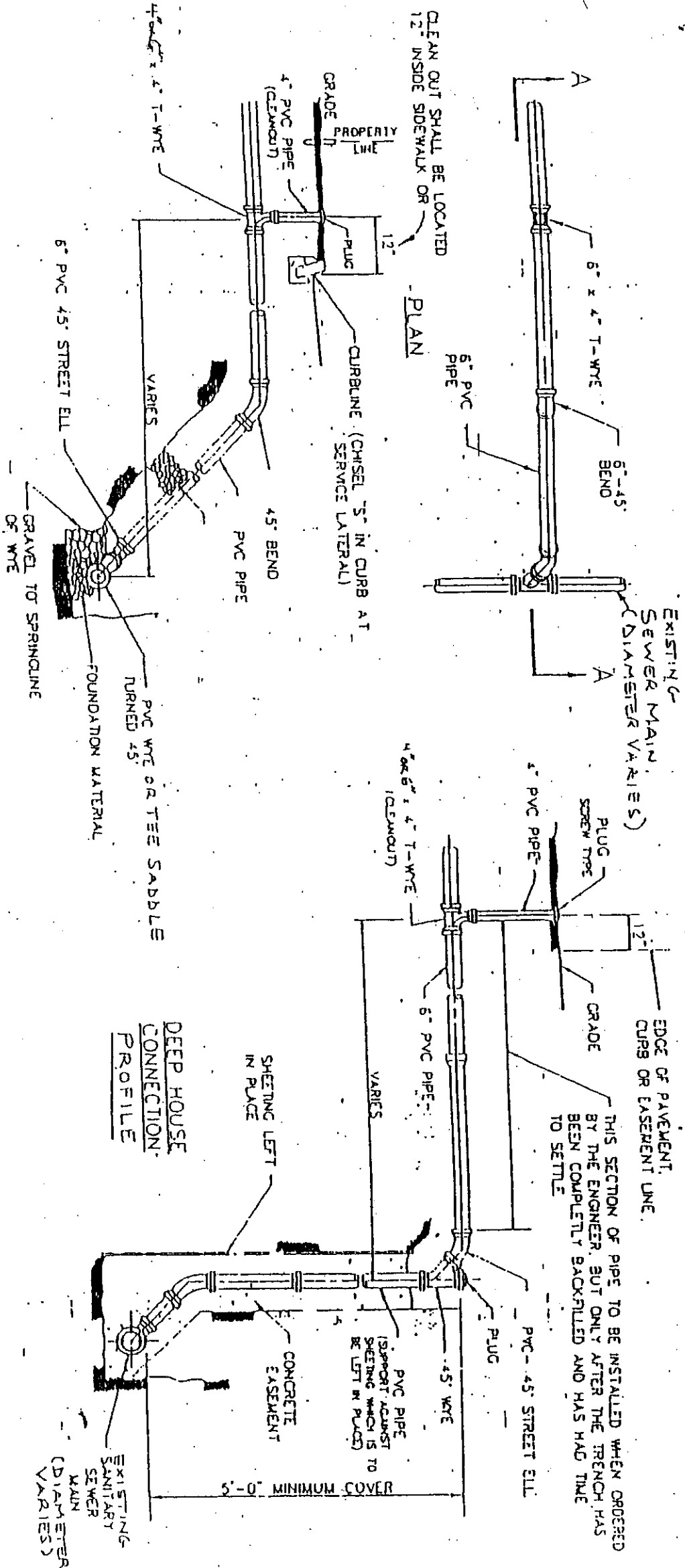
CONNECTION TO CONCRETE SEWERS



JERSEY CITY SEWERAGE AUTHORITY - DETAIL #4

CONNECTION TO CONCRETE SEWERS

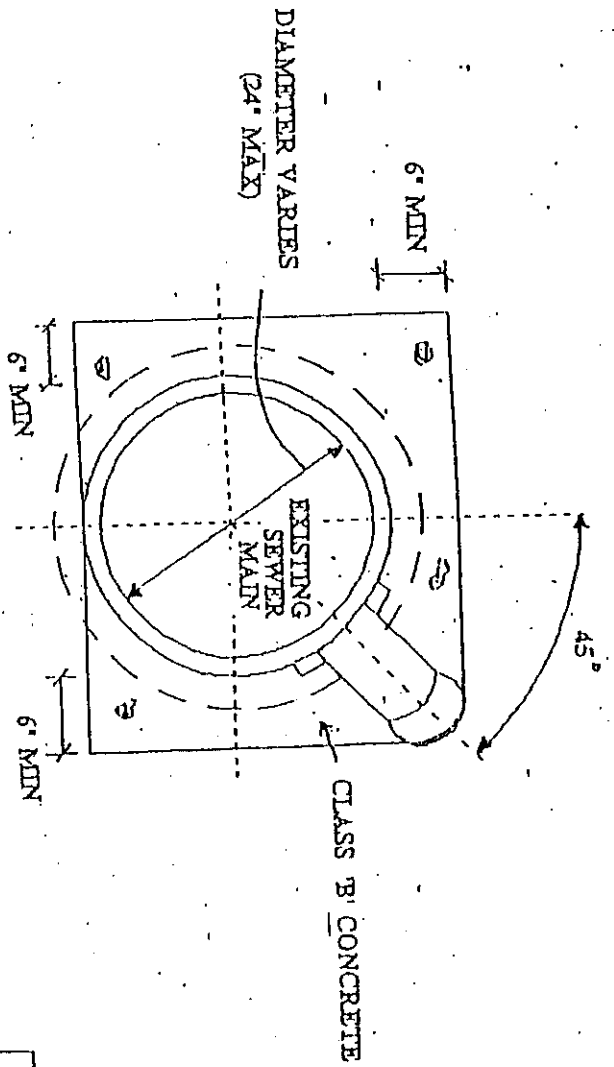
# SEWER SERVICE DETAIL



## JERSEY CITY SEWERAGE AUTHORITY - DETAIL #5

CONNECTION TO PVC SEWERS

CONNECTION TO PVC, CLAY OR DUCTILE IRON SEWERS

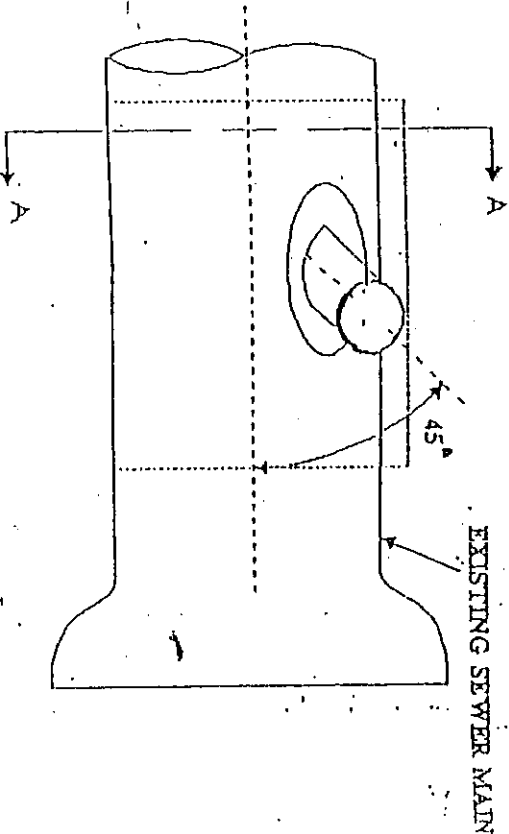
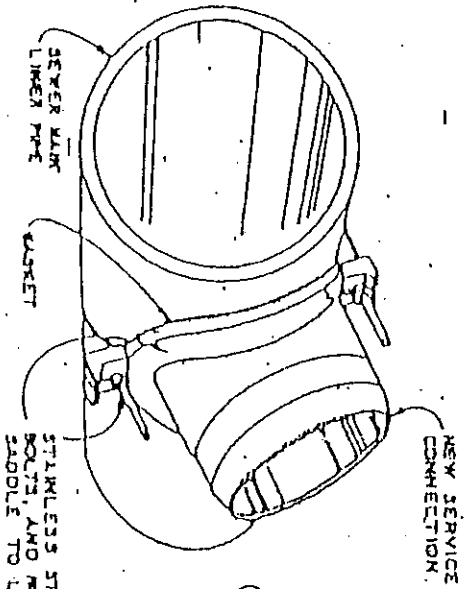


SECTION A-A

THE SADDLE

N.T.S.

(SEE SECTION A-A FOR INSTALLATION CONFIGURATION)

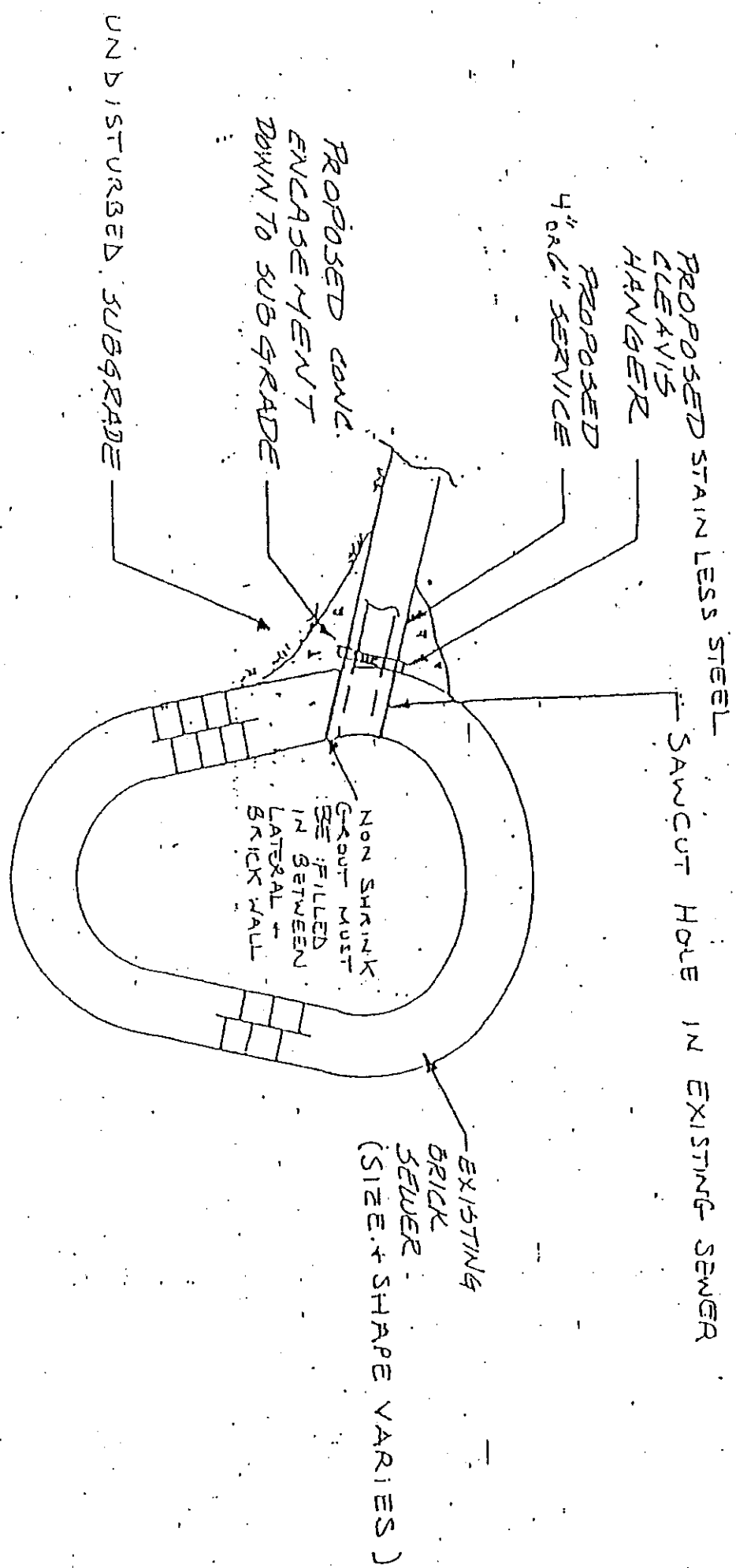


WYE SADDLE

N.T.S.

JERSEY CITY SEWERAGE AUTHORITY - DETAIL #1

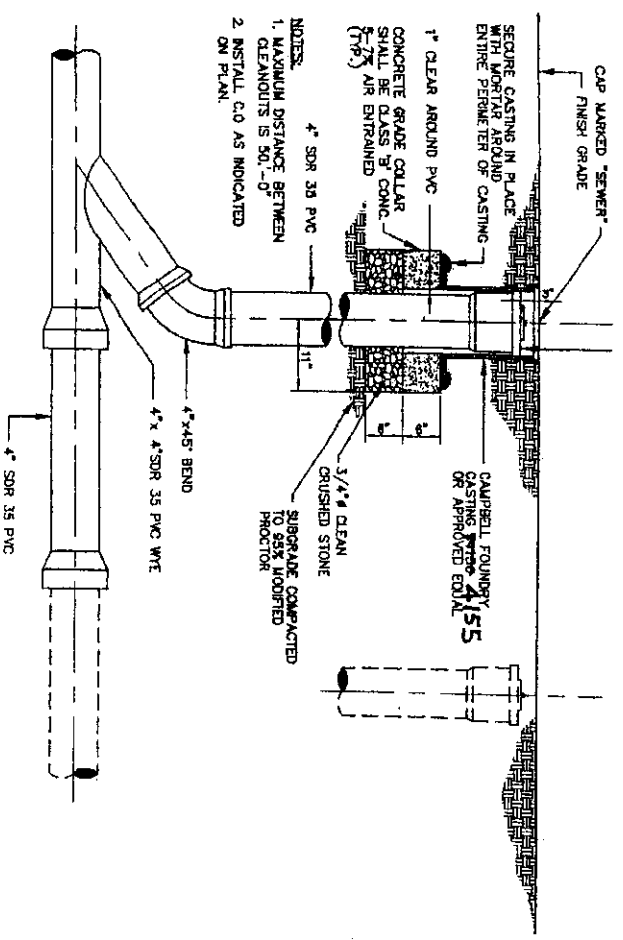
CONNECTION TO BRICK SEWER



CROSS SECTION AT SERVICE CONNECTION  
 NOT TO SCALE

JERSEY CITY SEWERAGE AUTHORITY - DETAIL #2

CONNECTION TO BRICK SEWERS

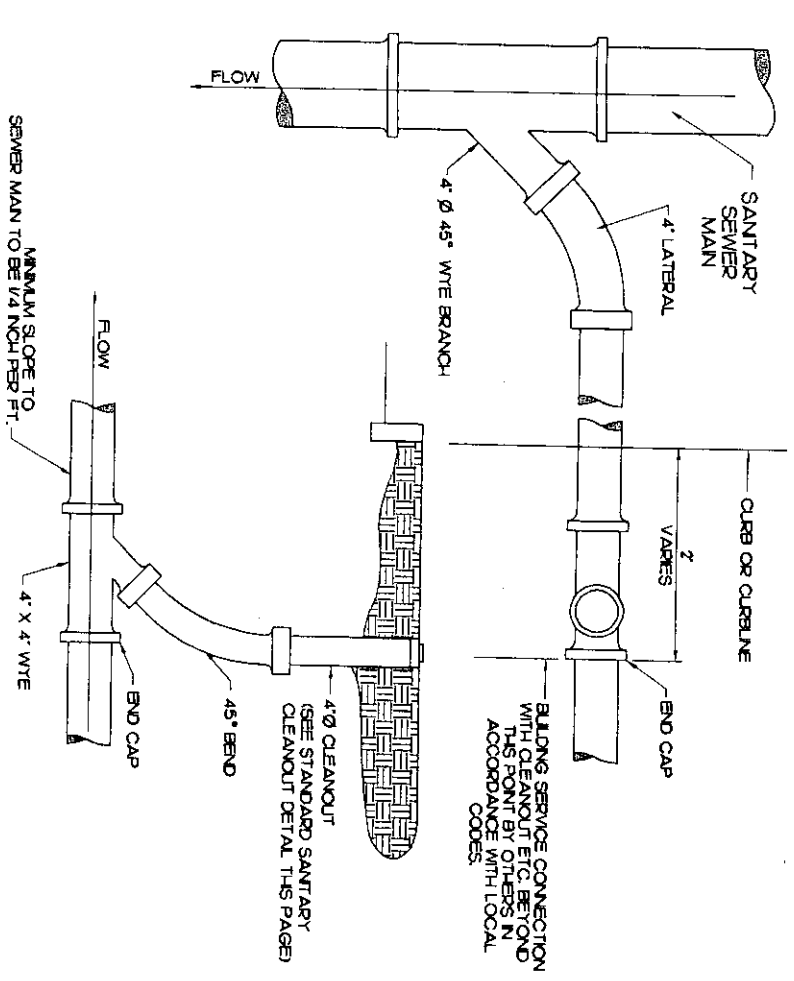


- NOTES:
1. MAXIMUM DISTANCE BETWEEN CLEANOUTS IS 90'-0"
  2. INSTALL C.I.O. AS INDICATED ON PLAN.

**STANDARD SANITARY CLEANOUT**  
NOT TO SCALE

Figure 6.1 SDR-35 PVC Sanitary Sewer Trench Detail

06/27/07



- NOTE: 1. ALSO REFER TO BUILDING MECHANICAL PLANS FOR LATERAL LOCATIONS.  
2. ALSO SEE STANDARD SANITARY CLEANOUT DETAIL THIS PAGE

**SANITARY SEWER SERVICE LATERAL DETAIL**  
NTS

NTS